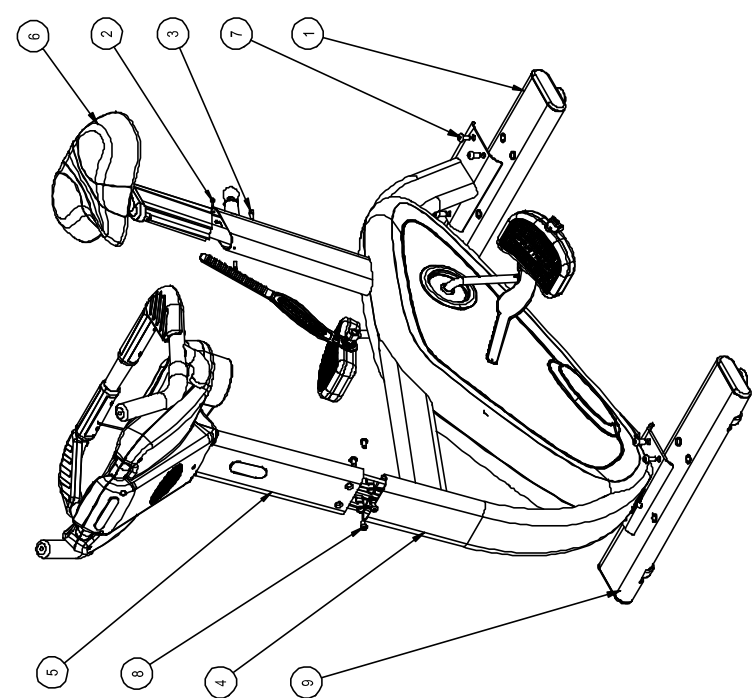


9 8 7 6 5 4 3 2 1

| REVOLUTIONS | | | |
|-------------|----------|-------------------------------|-------|
| REV. | DATE | DESCRIPTION | ECO |
| A | 03-06-07 | INITIAL RELEASE OF PRODUCTION | 11557 |

J I H G F E D C B A



| ITEM NO. | PART NUMBER | DESCRIPTION | Default QTY. |
|----------|-------------|-----------------------------------|--------------|
| 1 | 740-2023 | ASSY, BACK FEET, SPORT BIKE | 1 |
| 2 | 110-3251 | | 2 |
| 3 | 110-3171 | SCREW, ISO4762, M6x20 | 1 |
| 4 | 740-2037 | ASSY, MAIN FRAME, SPORT UB | 1 |
| 5 | 740-2033 | ASSY, CONSOLE/HANDLEBAR, SPORT UB | 1 |
| 6 | 740-2034 | ASSY, SEAT POST, SPORT, UB | 1 |
| 7 | 110-3411 | SCREW, M10x20,BHC,HK,SS | 8 |
| 8 | 110-3418 | SCREW, M8x1.25x16,BHC,HK,SS | 4 |
| 9 | 740-2022 | ASSY, FRONT FEET, SPORT BIKE | 1 |

TOLERANCES UNLESS OTHERWISE SPECIFIED
 X.XXX ± .015 (0.25MM) ANGLES ± .2°
 X.XX ± .005 (0.125MM) FRACTIONS ± .1/32
 X.X ± .001 (0.025MM) DECIMALS ± .0005
 X ± .125 (3.20)

UNISEN, INC. DBA STARTRAC
 14410 Myford Road
 Irvine CA 92606

740-2010
 PART NO. REV. **A**

740-2010
 TITLE: ASSY, UPRIGHT BIKE, SPORT, UB
 SCALE: 1:1 SHEET 1 OF 1 SHEET SIZE: B

FINISH
 DRAWN: SJ DATE: 01-26-07
 CHECKED: INITIAL: REV: A
 APPROVED: U.O.M. SCALE: 1:1 SHEET 1 OF 1 SHEET SIZE: B

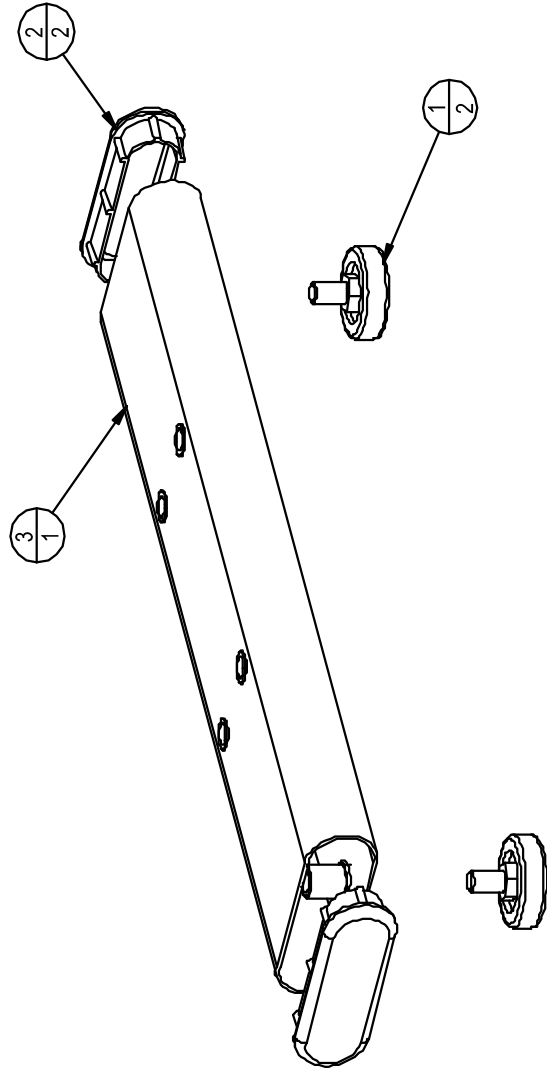
MATERIAL
 UNISEN, INC. DBA STARTRAC 14410 Myford Road Irvine CA 92606

NOTICE OF PROPRIETARY INFORMATION
 THIS DOCUMENT IS THE PROPERTY OF UNISEN, INC. AND IS UNCLASSIFIED FOR RELEASE. IT IS TO BE KEPT CONFIDENTIAL AND NOT DISCLOSED TO OTHERS WITHOUT THE EXPRESS WRITTEN PERMISSION OF UNISEN, INC. UNISEN, INC. EXPRESSLY AUTHORIZES THE RELEASE OF THIS INFORMATION TO THE EXTENT NECESSARY FOR THE PRODUCTION OF THIS DOCUMENT.

DOCUMENT STATUS:
 RELEASE

NOTES:
 1. INSTALLATION HARDWARE TO BE INCLUDED IN TOOL KIT PIN: 740-2030.

| | | | | | | | | | | |
|------------------|----------|--------------------|---|---|---|---|---|-------|-----|--|
| 10 | 9 | 8 | 7 | 6 | 5 | 4 | 3 | 2 | 1 | |
| REVISIONS | | | | | | | | | | |
| REV. | DATE | DESCRIPTION | | | | | | ECO | BY | |
| A | 03-07-07 | PRODUCTION RELEASE | | | | | | 11556 | FJM | |



| ITEM NO. | PART NUMBER | DESCRIPTION | ??/QTY. |
|----------|-------------|--------------------------|---------|
| 1 | 140-3247 | LEVELER, FEET ADJUSTMENT | 2 |
| 2 | 740-2024 | CAP, OVAL, FEET, SP BK | 2 |
| 3 | 740-2025 | FEET, REAR, SPORT BIKE | 1 |

**DOCUMENT STATUS:
RELEASE**

NOTICE OF PROPRIETARY INFORMATION
THIS DOCUMENT SHALL NOT BE REPRODUCED NOR SHALL THE INFORMATION CONTAINED HEREIN BE USED BY OR DISCLOSED TO OTHER EXCEPT AS EXPRESSLY AUTHORIZED BY UNISEN

| | |
|----------|----------------------------|
| MATERIAL | SEE BOM |
| FINISH | N/A |
| VENDOR: | P/N: 748-4-8940-104 |

| | |
|---|----------|
| TOLERANCES UNLESS OTHERWISE SPECIFIED | DATE |
| X.XXX = ±.010" (0.25MM) ANGLES = ± 2° | 01-27-07 |
| X.XX = ±.030" (0.76MM) FRACTIONS = ± 1/32 | |
| X.X = ±.050" (1.27MM) | |
| X. = ±.125" (3.20MM) | |

UNISEN, INC. DBA

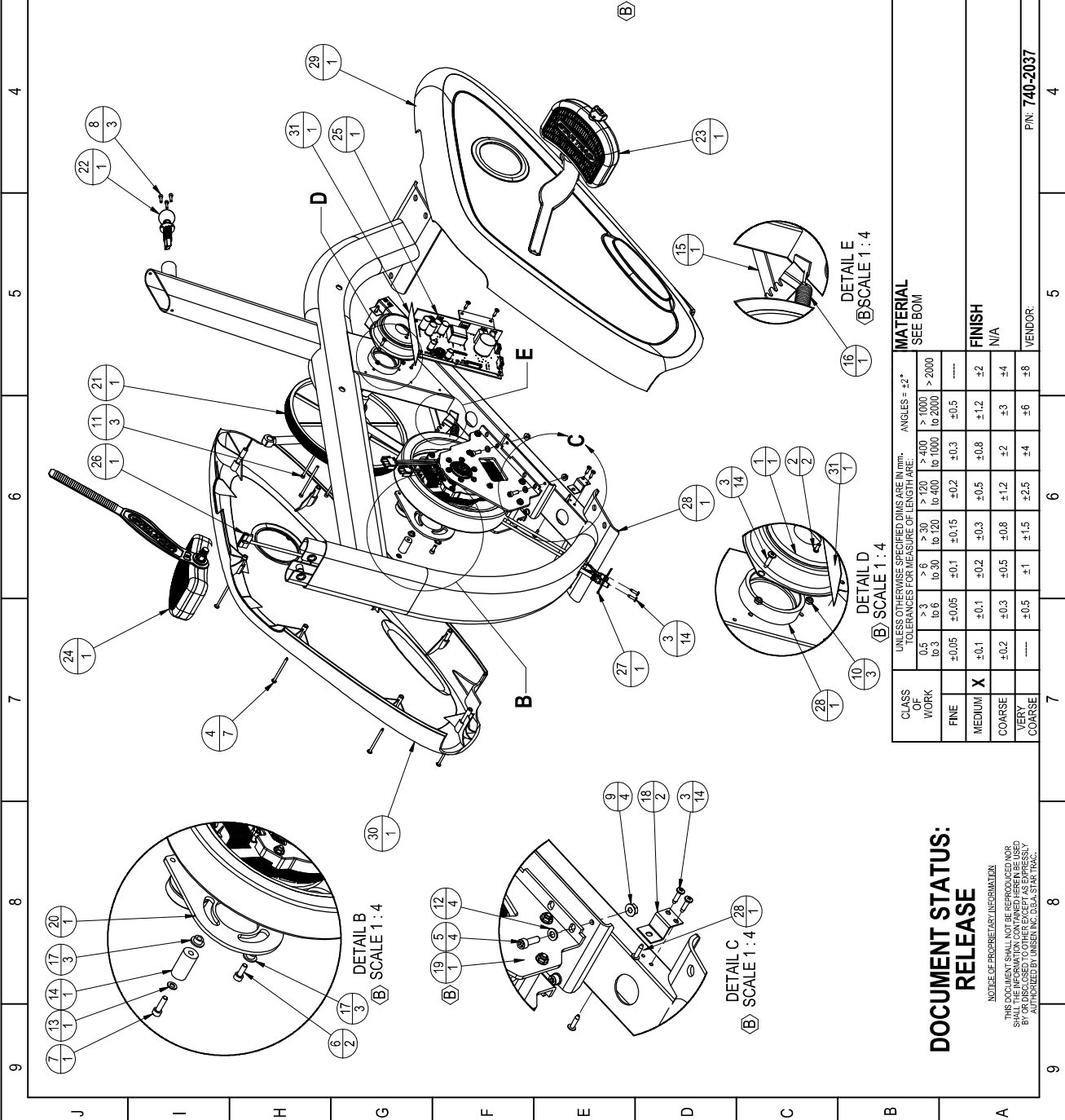
 STARTRAC PART NO **740-2023** REV **A**

14410 Myford Road
Irvine CA 92606

TITLE
ASSY, BACK FEET, SPORT BIKE
 SCALE: 1:4 SHEET 1 OF 1 SHEET SIZE: A

| | | | | | | | | | |
|----|---|---|---|---|---|---|---|---|---|
| 10 | 9 | 8 | 7 | 6 | 5 | 4 | 3 | 2 | 1 |
|----|---|---|---|---|---|---|---|---|---|

| REV. | DATE | DESCRIPTION | ECO | BY |
|------|-----------|--|-------|-----|
| A | 1/29/2007 | INITIAL RELEASE OF PRODUCTION | 11557 | SJ |
| B | 06C-04-10 | REPLACE 718-1087 (1) FOR 260-0948 (1); ADD SECTION MEWS B, C, D, AND E | 13315 | SCN |



REVISIONS

| REV. | DATE | DESCRIPTION | ECO | BY |
|------|-----------|--|-------|-----|
| A | 1/29/2007 | INITIAL RELEASE OF PRODUCTION | 11557 | SJ |
| B | 06C-04-10 | REPLACE 718-1087 (1) FOR 260-0948 (1); ADD SECTION MEWS B, C, D, AND E | 13315 | SCN |

| ITEM NO. | PART NUMBER | DESCRIPTION | QTY. |
|----------|-------------|---|------|
| 1 | 020-6502 | CUP, SHROUD COVER | 1 |
| 2 | 110-3163 | SCREW, M3X0.5X8L-PHT,PH,CS,ZI | 2 |
| 3 | 110-3164 | SCREW, M4X0.7X16L-PHT,PH,CS,ZI | 14 |
| 4 | 110-3167 | SCREW, M4X0.7X64L-PHT,PH,CS,ZI | 7 |
| 5 | 110-3171 | SCREW, ISO4762, M6X20 | 4 |
| 6 | 110-3177 | SCREW, ISO4762, M6X16 | 2 |
| 7 | 110-3230 | SCREW, M5X18, SHC, HE, ISO4762 | 1 |
| 8 | 110-3232 | SCREW, M4X16, SHC, HE, ISO4762 | 3 |
| 9 | 110-3236 | NUT, M6XPI.0, UNLOCK | 4 |
| 10 | 110-3246 | NUT, NYLON-INSERT M4 X.7 | 3 |
| 11 | 110-3247 | SCREW, SHCS, M4 X.7 X 80 | 3 |
| 12 | 120-3246 | WASHER, ISO 7089 - IM6 | 4 |
| 13 | 120-3252 | WASHER, M5, ISO 7089 | 1 |
| 14 | 120-3254 | SPACER, SHROUD, RB, PRO BIKE | 1 |
| 15 | 130-1693 | BELT, POLY V, 460J8 | 1 |
| 16 | 140-3243 | SPRING, EXT | 1 |
| 17 | 140-3248 | SPACER, BRACKET, IDLER | 3 |
| 18 | 140-3250 | BRACKET, ANGLE, 4M | 2 |
| 19 | 260-0948 | W/PULLEY, GENBRK, HYBRID, RB/UB | 1 |
| 20 | 718-1095 | ASSY, IDLER ADJ, UB/RB PRO | 1 |
| 21 | 718-1103 | ASSY, CRANK W/PULLEY | 1 |
| 22 | 718-5051 | ASSY, SEAT STOP PIN, UB PRO | 1 |
| 23 | 718-5085-01 | ASSY., PEDAL, W/STRAP, L, UB6300/RB6400 PRO | 1 |
| 24 | 718-5085-02 | ASSY., PEDAL, W/STRAP, R, UB6300/RB6400 PRO | 1 |
| 25 | 740-0002 | ASSY, LCB W/HEATSINK, S-BIKE | 1 |
| 26 | 740-2001 | ASSY, CABLE, MAIN I/O, UPPER, SB | 1 |
| 27 | 740-2032 | ASSY, MAIN HARNESS, SPORT Bx | 1 |
| 28 | 740-2038 | FRAME, WELDMENT, SPORT, UB | 1 |
| 29 | 740-2039 | SHROUD, KIT, LEFT, S UB | 1 |
| 30 | 740-2040 | SHROUD, KIT, RIGHT, S UB | 1 |
| 31 | 740-2041 | BRACKET, LCB ASSY, SPORT, UB | 1 |

UNISEN, INC. DBA

 14410 Myford Road
 Irvine CA 92606

THIRD ANGLE PROJECTION

DATE: 1/29/07
 INITIAL: SJ
 DRAWN: SJ
 CHECKED: []
 APPROVED: []

STARTRAC PART NO: **740-2037**
 TITLE: **ASSY, MAIN FRAME, SPORT UB**
 SCALE: 1:8
 SHEET 1 OF 1
 SHEET SIZE: B

| CLASS OF WORK | UNISEN TOLERANCES (UNLESS OTHERWISE SPECIFIED DIMS ARE IN MM) | ANGLES = ±2° |
|---------------|---|------------------|
| FINE | ±0.05 to ±0.15 | > 3 to > 6 |
| MEDIUM | ±0.1 to ±0.2 | > 6 to > 30 |
| COARSE | ±0.2 to ±0.3 | > 30 to > 120 |
| VERY COARSE | ±0.5 to ±1.0 | > 120 to > 400 |
| | | > 400 to > 1000 |
| | | > 1000 to > 2000 |

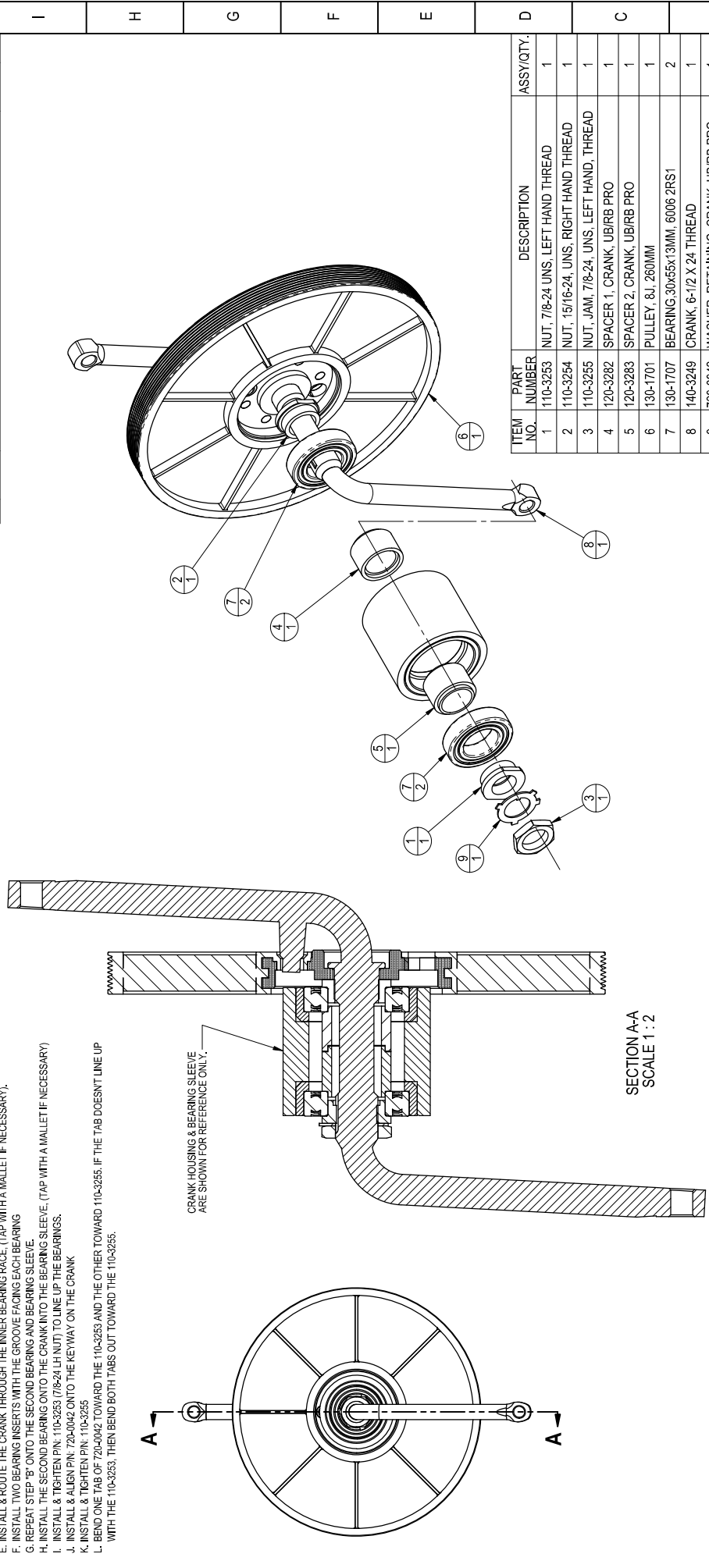
FINISH: N/A
 VENDOR: []
 PIN: 740-2037

DOCUMENT STATUS: RELEASE

NOTICE OF PROGRESS/INFORMATION
 THIS DOCUMENT SHALL NOT BE REPRODUCED NOR
 DISCLOSED TO OTHERS WITHOUT THE EXPRESS
 AUTHORIZATION BY UNISEN INC. DBA STARTRAC.

| REVISION HISTORY | | |
|------------------|----------|---|
| REV | DATE | DESCRIPTION |
| A | 12-10-03 | PRODUCTION RELEASE. |
| B | 05-18-05 | REPLACE PIN: 120-3263 WITH PIN: 120-3282 & 120-3283, CHANGE QTY: 11283 OF |
| C | 07-21-09 | REMOVED PIN: 020-6501 (2), 110-3247 (6), 110-3248 (6), UPDATE NOTES |

| REV | DATE | DESCRIPTION | ECO | BY |
|-----|----------|---|-------|-----|
| A | 12-10-03 | PRODUCTION RELEASE. | 11066 | JD |
| B | 05-18-05 | REPLACE PIN: 120-3263 WITH PIN: 120-3282 & 120-3283, CHANGE QTY: 11283 OF | 11283 | OF |
| C | 07-21-09 | REMOVED PIN: 020-6501 (2), 110-3247 (6), 110-3248 (6), UPDATE NOTES | 12172 | SCN |



SECTION A-A
SCALE 1:2

CRANK HOUSING & BEARING SLEEVE
ARE SHOWN FOR REFERENCE ONLY.

- NOTES:
- ONE PIECE CRANK ARM ASSEMBLY SEQUENCES:
 - ASSEMBLE THE CRANK AND THE PULLEY
 - INSTALL & TIGHTEN PIN: 110-3254 ONTO PULLEY
 - APPLY LOCTITE 680 RETAINING COMPOUND (OR ENGINEERING APPROVED EQUIVALENT) ON OUTER BEARING RACE & INNER BEARING SLEEVE WITHIN FRAME. FOLLOW LOCOTITE INSTALLATION INSTRUCTION FOR PROPER PROCEDURE
 - INSTALL BEARING INTO BEARING SLEEVE. (TAP WITH A Mallet IF NECESSARY)
 - INSTALL & ROUTE THE CRANK THROUGH THE INNER BEARING RACE. (TAP WITH A Mallet IF NECESSARY).
 - INSTALL TWO BEARING INSERTS WITH THE GROOVE FACING EACH BEARING
 - REPEAT STEP 'B' ONTO THE SECOND BEARING AND BEARING SLEEVE.
 - INSTALL THE SECOND BEARING ONTO THE CRANK INTO THE BEARING SLEEVE. (TAP WITH A Mallet IF NECESSARY)
 - INSTALL & TIGHTEN PIN: 110-3253 (7/8"-24 LH NUT) TO LINE UP THE BEARINGS.
 - INSTALL & ALIGN PIN: 720-0042 ONTO THE KEYWAY ON THE CRANK
 - INSTALL & TIGHTEN PIN: 110-3255
 - BEND ONE TAB OF 720-0042 TOWARD THE 110-3253 AND THE OTHER TOWARD 110-3255. IF THE TAB DOESN'T LINE UP WITH THE 110-3253, THEN BEND BOTH TABS OUT TOWARD THE 110-3255.

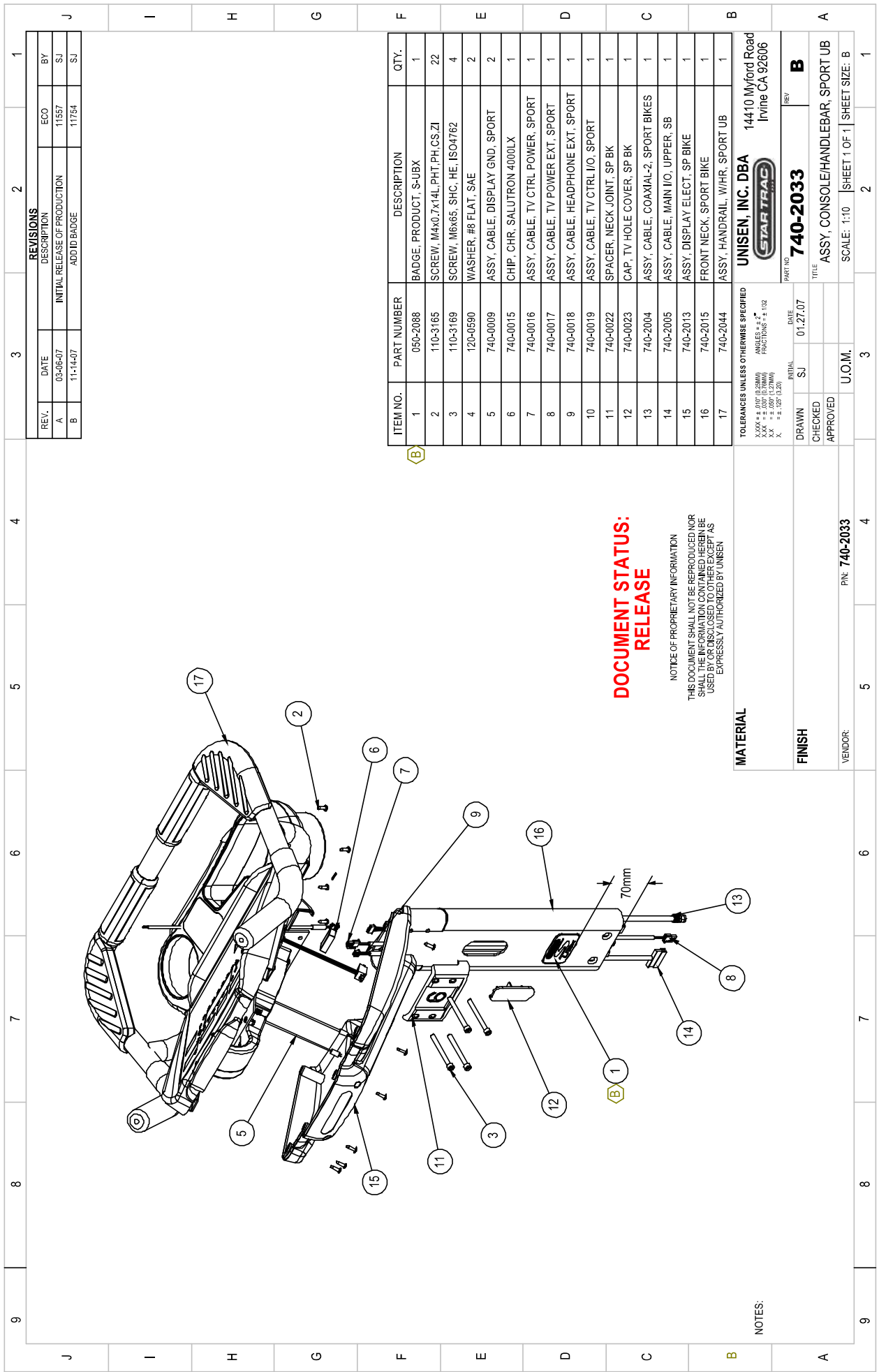
| ITEM NO. | PART NUMBER | DESCRIPTION | ASSY/QTY. |
|----------|-------------|---------------------------------------|-----------|
| 1 | 110-3253 | NUT, 7/8-24 UNS, LEFT HAND THREAD | 1 |
| 2 | 110-3254 | NUT, 15/16-24, UNS, RIGHT HAND THREAD | 1 |
| 3 | 110-3255 | NUT, 7/8-24, UNS, LEFT HAND, THREAD | 1 |
| 4 | 120-3282 | SPACER 1, CRANK, UB/RB PRO | 1 |
| 5 | 120-3283 | SPACER 2, CRANK, UB/RB PRO | 1 |
| 6 | 130-1701 | PULLEY, 8J, 260MM | 1 |
| 7 | 130-1707 | BEARING 30x65x13MM, 6006 2RS1 | 2 |
| 8 | 140-3249 | CRANK, 6-1/2 X 24 THREAD | 1 |
| 9 | 720-0042 | WASHER, RETAINING, CRANK, UB/RB PRO | 1 |

| | | | | | |
|---------------------------------------|-----------------|--------------------------------------|---------------------------------------|--------------------------------------|---|
| | | UNISEN, INC. DBA | | 14410 Myford Road Irvine CA 92606 | |
| THIRD ANGLE PROJECTION | INITIAL DATE | STARTRAC PART NO. 718-1103 | REV. C | | |
| DRAWN CHECKED APPROVED | FJM 01-15-03 | TITLE ASSY. CRANK W/PULLEY | SCALE: 1:1 SHEET 1 OF 1 SHEET SIZE: B | | |
| U.O.M. MM | VENDOR PIN: | MATERIAL | FINISH | CLASS OF WORK | UNLESS OTHERWISE SPECIFIED DIMS ARE IN "MM". ANGLES = ±2° |
| TOLERANCES FOR MEASURE OF LENGTH ARE: | > 3 to 3 | > 6 to 30 | > 30 to 60 | > 60 to 120 | > 120 to 400 |
| ±0.5 ±0.3 | ±0.1 ±0.05 | ±0.15 ±0.1 | ±0.2 ±0.3 | ±0.3 ±0.5 | ±0.5 ±1.0 ±2.0 |
| FINE | MEDIUM | COARSE | VERY COARSE | X | ±2 ±3 ±4 ±8 |

**DOCUMENT STATUS:
RELEASE**

NOTICE OF PROHIBITIVE INFORMATION

THIS DOCUMENT SHALL NOT BE REPRODUCED NOR
 DISSEMINATED IN ANY MANNER WITHOUT THE EXPRESS
 WRITTEN PERMISSION OF UNISEN, INC. OR UNISEN, INC.
 AUTHORIZED BY UNISEN, INC. DBA, STARTRAC.



REVISIONS

| REV. | DATE | DESCRIPTION | ECO | BY |
|------|----------|-------------------------------|-------|----|
| A | 03-06-07 | INITIAL RELEASE OF PRODUCTION | 11557 | SJ |
| B | 11-14-07 | ADD ID BADGE | 11754 | SJ |

| ITEM NO. | PART NUMBER | DESCRIPTION | QTY. |
|----------|-------------|-------------------------------------|------|
| 1 | 050-2088 | BADGE, PRODUCT, S-UBX | 1 |
| 2 | 110-3165 | SCREW, M4x0.7x14L, PHT, PH, CS, ZI | 22 |
| 3 | 110-3169 | SCREW, M6x65, SHC, HE, ISO4762 | 4 |
| 4 | 120-0590 | WASHER, #8 FLAT, SAE | 2 |
| 5 | 740-0009 | ASSY, CABLE, DISPLAY GND, SPORT | 2 |
| 6 | 740-0015 | CHIP, CHR, SALUTRON 4000LX | 1 |
| 7 | 740-0016 | ASSY, CABLE, TV CTRL POWER, SPORT | 1 |
| 8 | 740-0017 | ASSY, CABLE, TV POWER EXT, SPORT | 1 |
| 9 | 740-0018 | ASSY, CABLE, HEADPHONE EXT, SPORT | 1 |
| 10 | 740-0019 | ASSY, CABLE, TV CTRL I/O, SPORT | 1 |
| 11 | 740-0022 | SPACER, NECK JOINT, SP BK | 1 |
| 12 | 740-0023 | CAP, TV HOLE COVER, SP BK | 1 |
| 13 | 740-2004 | ASSY, CABLE, COAXIAL-2, SPORT BIKES | 1 |
| 14 | 740-2005 | ASSY, CABLE, MAIN I/O, UPPER, SB | 1 |
| 15 | 740-2013 | ASSY, DISPLAY ELECT, SP BIKE | 1 |
| 16 | 740-2015 | FRONT NECK, SPORT BIKE | 1 |
| 17 | 740-2044 | ASSY, HANDRAIL, WHR, SPORT UB | 1 |

**DOCUMENT STATUS:
RELEASE**

NOTICE OF PROPRIETARY INFORMATION
THIS DOCUMENT SHALL NOT BE REPRODUCED NOR
SHALL THE INFORMATION CONTAINED HEREIN BE
USED BY OR DISCLOSED TO OTHER EXCEPT AS
EXPRESSLY AUTHORIZED BY UNISEN

MATERIAL
UNISEN, INC. DBA STARTRAC
14410 Myford Road
Irvine CA 92606

FINISH
DRAWN: SJ
CHECKED: SJ
APPROVED: U.O.M.

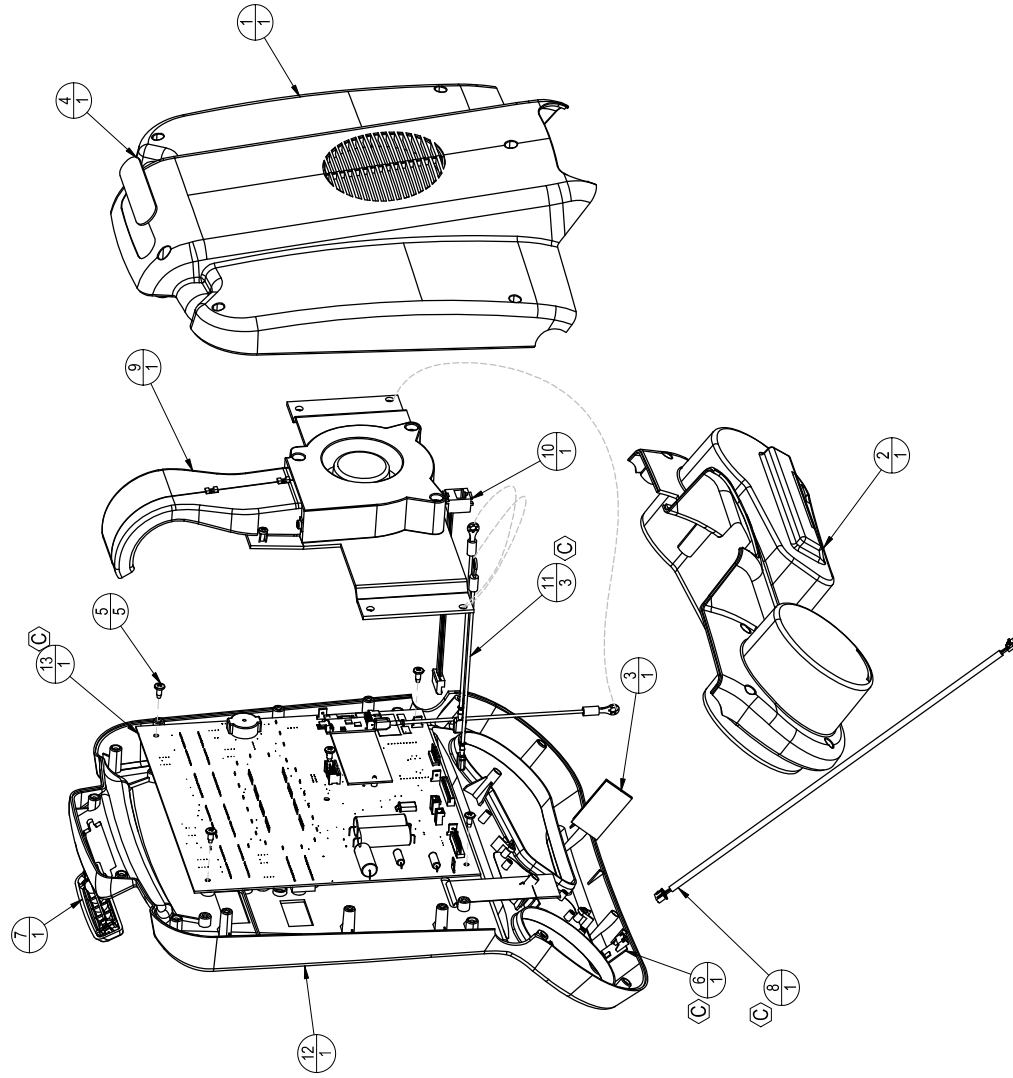
NOTES:
TOLERANCES UNLESS OTHERWISE SPECIFIED:
X.XXX ± 0.07 (0.28MM)
X.X ± 0.13 (0.51MM)
X.X ± 0.25 (0.27MM)
X ± 0.125 (0.32)

| REV | DATE | DESCRIPTION | ECO | BY |
|-----|----------|-----------------------------------|-----|----|
| A | 01.27.07 | ASSY, CONSOLE/HANDLEBAR, SPORT UB | | B |

SCALE: 1:10 | SHEET 1 OF 1 | SHEET SIZE: B

| REVISIONS | | |
|-----------|----------|---|
| REV. | DATE | DESCRIPTION |
| A | 01-07-07 | PRODUCTION RELEASE |
| B | - | SKIPPED REV |
| C | 06-22-11 | 740-8146 WAS 740-0001, 715-3864 & 718-5196 WERE 715-3407; ADDED 740-009 (3) |

| ECO | BY |
|-------|-----|
| 11556 | FJM |
| 13133 | FJM |



| ITEM NO. | PART NUMBER | DESCRIPTION | Default/QTY. |
|----------|-------------|-------------------------------------|--------------|
| 1 | 020-6411 | DISPLAY, FRONT, SPORT BIKE | 1 |
| 2 | 020-6416 | DISPLAY, BOTTOM, PRO BIKE | 1 |
| 3 | 020-6460 | WINDOW, HEADPHONE, S-BK/S-TBT | 1 |
| 4 | 050-1887 | LABEL, LOGO STAR TRAC, PRO BIKE | 1 |
| 5 | 110-3252 | SCREW, M4x0.7x10L,PHT,PH,CS,BO | 5 |
| 6 | 715-3864 | ASSY, WIRELESS HR, POLAR, 92cm L.R. | 1 |
| 7 | 718-1107 | ASSY, AIR VENT, UB/RB PRO | 1 |
| 8 | 718-5196 | ASSY, CABLE, WIRELESS HR | 1 |
| 9 | 720-5068 | ASSY, FAN W/BRACKET, PRO BIKE | 1 |
| 10 | 721-0033 | ASSY, CONN., FITLINX/CARDIO | 1 |
| 11 | 740-0009 | ASSY, CABLE, DISPLAY GND, SPORT | 3 |
| 12 | 740-2012 | ASSY, KEYPAD & PLAS, S-TBT & S-BIKE | 1 |
| 13 | 740-8146 | ASSY, DISPL BOARD W/CHR, S-TBT/BK | 1 |

TOLERANCES UNLESS OTHERWISE SPECIFIED
 XXXX ± .017 (0.25MM) ANGLES ± 2°
 XX ± .007 (0.178MM) FRACTIONS ± .192
 X ± .005 (0.127MM) DECIMALS
 X ± .005 (0.127)

MATERIAL
SEE BOM

FINISH
SEE NOTES

APPROVED

U.O.M. MM

SCALE: 1:4 SHEET 1 OF 1 SHEET SIZE: B

DOCUMENT STATUS:

NOTICE OF PROPRIETARY INFORMATION
 THIS DOCUMENT SHALL NOT BE REPRODUCED OR
 TRANSMITTED IN ANY FORM OR BY ANY MEANS,
 ELECTRONIC OR MECHANICAL, INCLUDING PHOTOCOPYING,
 RECORDING, OR BY ANY INFORMATION STORAGE AND RETRIEVAL SYSTEM,
 WITHOUT THE EXPRESS WRITTEN PERMISSION OF STARTRAC
 EXPRESSLY AUTHORIZED BY UNIBIK

| REV | DATE | DESCRIPTION | ECO | BY |
|-----|----------|---|-------|-----|
| A | 01-07-07 | PRODUCTION RELEASE | 11556 | FJM |
| B | - | SKIPPED REV | | |
| C | 06-22-11 | 740-8146 WAS 740-0001, 715-3864 & 718-5196 WERE 715-3407; ADDED 740-009 (3) | 13133 | FJM |

NOTES:

- CONNECTIVITY:
 - 715-3407 TO J4 ON BOARD 740-0001 OF ASSY 740-8146.
 - 721-0033 TO J2 ON 740-0001 OF ASSY 740-8146.
 - 720-5068 TO J13 ON 740-0001 OF ASSY 740-8146.
 - 740-0009 TO GR02 ON 740-0001 OF ASSY 740-8146.
 - 740-0009 TO GR06 ON 740-0001 OF ASSY 740-8146.
 - 740-0006 TO GROUND TAB ON 740-8133 BOARD OF ASSY 740-8146.
- SELECT MODEL: "2" = 1CH (S-UB/RBX) IN "IDL" screen.

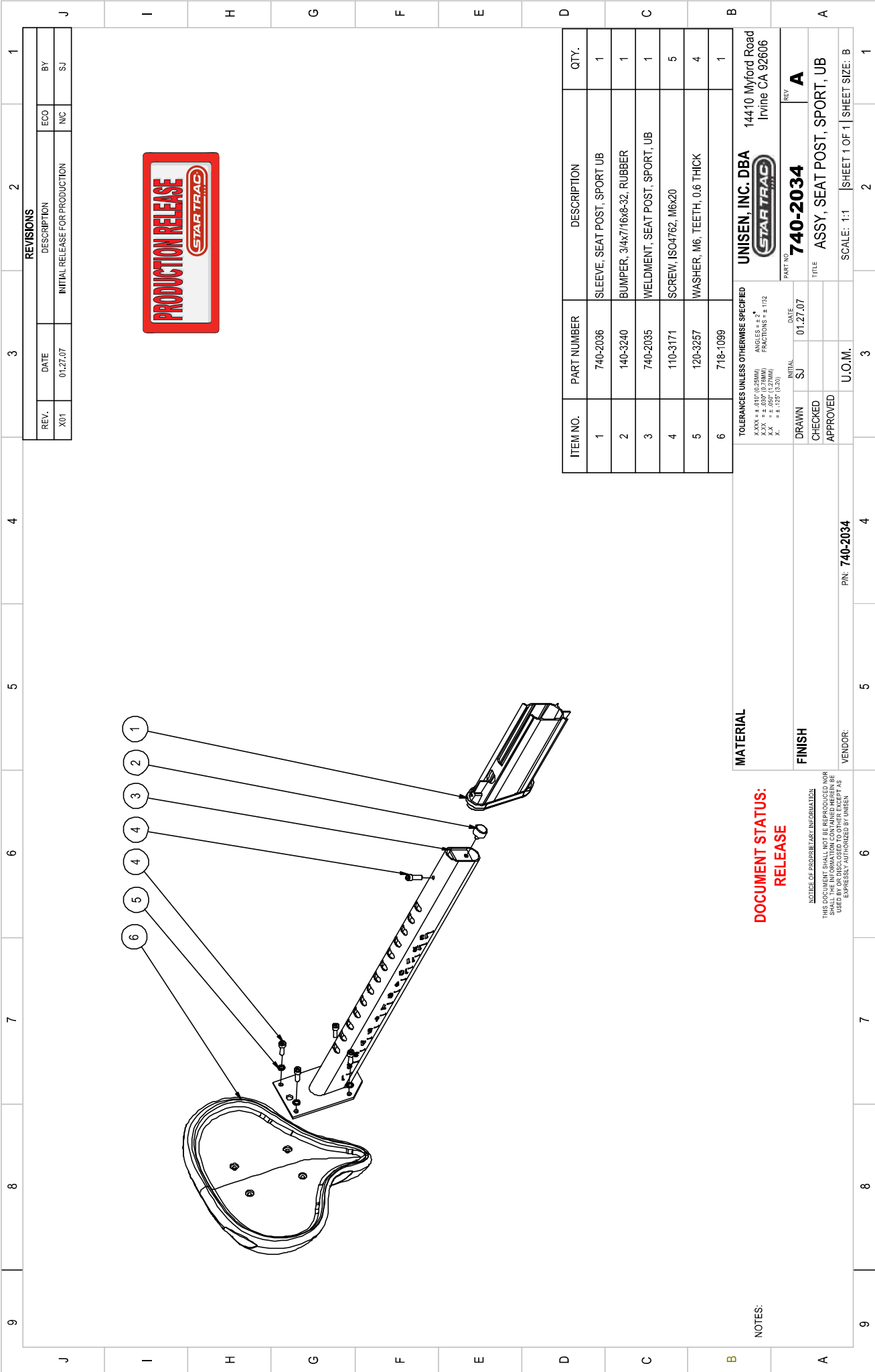
14410 Myford Road
 Irvine CA 92606

STARTRAC

PART NO **740-2013** REV **C**

TITLE **ASSY, DISPLAY ELECT, S-UBX/S-RBX**

| 10 | 9 | 8 | 7 | 6 | 5 | 4 | 3 | 2 | 1 | | | | | | | | | | | | | | | | | | | | | | | | | | | | | | | | | | | | | | | | | | | | | |
|---|-------------|---------------------------------------|----------------------------|-------------|---|---|---|---|---|---------------|-------------|---------------------|--------|-------------|----------|----------------------------|--------------------|---------|----------|----------------------------------|----------|---------------------------------------|----------|-------------------------------------|-----------|--------|----------|-------------------------|----------------------------|-------------|-------|------|------|------|--------------|------|------|------|------|---------------|------|------|----|----|----------------|------|------|----|----|--------|-------|----|----|----|
| <p>NOTES:</p> <p>1. CLEAN PART WITH DENATURED ALCOHOL PRIOR TO ADHERING KEYPADS</p> | | | | | | | | | | | | | | | | | | | | | | | | | | | | | | | | | | | | | | | | | | | | | | | | | | | | | | |
| <p>REVISIONS</p> <table border="1"> <tr> <th>REV.</th><th>DATE</th><th>DESCRIPTION</th><th>ECO</th><th>BY</th> </tr> <tr> <td>A</td><td>3/7/2007</td><td>PRODUCTION RELEASE</td><td>11556</td><td>FJM</td> </tr> <tr> <td>B</td><td>06-22-11</td><td>REPLACE 740-2006 (1) FOR 050-2217 (1)</td><td>13133</td><td>SCN</td> </tr> </table> | | | | | | | | | | REV. | DATE | DESCRIPTION | ECO | BY | A | 3/7/2007 | PRODUCTION RELEASE | 11556 | FJM | B | 06-22-11 | REPLACE 740-2006 (1) FOR 050-2217 (1) | 13133 | SCN | | | | | | | | | | | | | | | | | | | | | | | | | | | | | | |
| REV. | DATE | DESCRIPTION | ECO | BY | | | | | | | | | | | | | | | | | | | | | | | | | | | | | | | | | | | | | | | | | | | | | | | | | | |
| A | 3/7/2007 | PRODUCTION RELEASE | 11556 | FJM | | | | | | | | | | | | | | | | | | | | | | | | | | | | | | | | | | | | | | | | | | | | | | | | | | |
| B | 06-22-11 | REPLACE 740-2006 (1) FOR 050-2217 (1) | 13133 | SCN | | | | | | | | | | | | | | | | | | | | | | | | | | | | | | | | | | | | | | | | | | | | | | | | | | |
| | | | | | | | | | | | | | | | | | | | | | | | | | | | | | | | | | | | | | | | | | | | | | | | | | | | | | | |
| <p>DOCUMENT STATUS:</p> <p>NOTICE OF PROPRIETARY INFORMATION</p> <p>THIS DOCUMENT SHALL NOT BE REPRODUCED NOR SHALL THE INFORMATION CONTAINED HEREIN BE USED BY OR DISCLOSED TO OTHERS EXCEPT AS EXPRESSLY AUTHORIZED BY CORE INDUSTRIES, INC., D.B.A. STAR TRAC.</p> | | | | | | | | | | | | | | | | | | | | | | | | | | | | | | | | | | | | | | | | | | | | | | | | | | | | | | |
| <p>MATERIAL</p> <p>SEE BOM</p> | | | | | | | | | | | | | | | | | | | | | | | | | | | | | | | | | | | | | | | | | | | | | | | | | | | | | | |
| <p>THIRD ANGLE PROJECTION</p> | | | | | | | | | | | | | | | | | | | | | | | | | | | | | | | | | | | | | | | | | | | | | | | | | | | | | | |
| <table border="1"> <tr> <th>ITEM NO.</th><th>PART NUMBER</th><th>DESCRIPTION</th><th>QTY.</th> </tr> <tr> <td>1</td><td>020-6926</td><td>DISPLAY, FRONT, SPORT BIKE</td><td>1</td> </tr> <tr> <td>2</td><td>050-2217</td><td>KEYPAD, MAIN DISPL, E-TBT/BK, G2</td><td>1</td> </tr> <tr> <td>3</td><td>110-3163</td><td>SCREW, M3x0.5x8L, PHT, PH, CS, ZI</td><td>3</td> </tr> <tr> <td>4</td><td>740-0013</td><td>ASSY, OPER, INST, SPORT</td><td>1</td> </tr> </table> | | | | | | | | | | ITEM NO. | PART NUMBER | DESCRIPTION | QTY. | 1 | 020-6926 | DISPLAY, FRONT, SPORT BIKE | 1 | 2 | 050-2217 | KEYPAD, MAIN DISPL, E-TBT/BK, G2 | 1 | 3 | 110-3163 | SCREW, M3x0.5x8L, PHT, PH, CS, ZI | 3 | 4 | 740-0013 | ASSY, OPER, INST, SPORT | 1 | | | | | | | | | | | | | | | | | | | | | | | | | |
| ITEM NO. | PART NUMBER | DESCRIPTION | QTY. | | | | | | | | | | | | | | | | | | | | | | | | | | | | | | | | | | | | | | | | | | | | | | | | | | | |
| 1 | 020-6926 | DISPLAY, FRONT, SPORT BIKE | 1 | | | | | | | | | | | | | | | | | | | | | | | | | | | | | | | | | | | | | | | | | | | | | | | | | | | |
| 2 | 050-2217 | KEYPAD, MAIN DISPL, E-TBT/BK, G2 | 1 | | | | | | | | | | | | | | | | | | | | | | | | | | | | | | | | | | | | | | | | | | | | | | | | | | | |
| 3 | 110-3163 | SCREW, M3x0.5x8L, PHT, PH, CS, ZI | 3 | | | | | | | | | | | | | | | | | | | | | | | | | | | | | | | | | | | | | | | | | | | | | | | | | | | |
| 4 | 740-0013 | ASSY, OPER, INST, SPORT | 1 | | | | | | | | | | | | | | | | | | | | | | | | | | | | | | | | | | | | | | | | | | | | | | | | | | | |
| <p>CORE INDUSTRIES, INC. DBA</p> <p>14410 Myford Road Irvine CA 92606</p> <p>STAR TRAC</p> | | | | | | | | | | | | | | | | | | | | | | | | | | | | | | | | | | | | | | | | | | | | | | | | | | | | | | |
| <table border="1"> <tr> <td>DRAWN</td><td>DATE</td><td>START/TRACE PART NO</td><td>REV/</td> </tr> <tr> <td>FJM</td><td>01-26-07</td><td>740-2012</td><td>B</td> </tr> <tr> <td>CHECKED</td><td></td><td>TITLE</td><td></td> </tr> <tr> <td>APPROVED</td><td></td><td>ASSY, KEYPAD & PLAS, S-TBT & S-BIKE</td><td></td> </tr> <tr> <td>U.O.M.</td><td>MM</td><td>SCALE: 1:4</td><td>SHEET 1 OF 1 SHEET SIZE: A</td> </tr> </table> | | | | | | | | | | DRAWN | DATE | START/TRACE PART NO | REV/ | FJM | 01-26-07 | 740-2012 | B | CHECKED | | TITLE | | APPROVED | | ASSY, KEYPAD & PLAS, S-TBT & S-BIKE | | U.O.M. | MM | SCALE: 1:4 | SHEET 1 OF 1 SHEET SIZE: A | | | | | | | | | | | | | | | | | | | | | | | | | |
| DRAWN | DATE | START/TRACE PART NO | REV/ | | | | | | | | | | | | | | | | | | | | | | | | | | | | | | | | | | | | | | | | | | | | | | | | | | | |
| FJM | 01-26-07 | 740-2012 | B | | | | | | | | | | | | | | | | | | | | | | | | | | | | | | | | | | | | | | | | | | | | | | | | | | | |
| CHECKED | | TITLE | | | | | | | | | | | | | | | | | | | | | | | | | | | | | | | | | | | | | | | | | | | | | | | | | | | | |
| APPROVED | | ASSY, KEYPAD & PLAS, S-TBT & S-BIKE | | | | | | | | | | | | | | | | | | | | | | | | | | | | | | | | | | | | | | | | | | | | | | | | | | | | |
| U.O.M. | MM | SCALE: 1:4 | SHEET 1 OF 1 SHEET SIZE: A | | | | | | | | | | | | | | | | | | | | | | | | | | | | | | | | | | | | | | | | | | | | | | | | | | | |
| <table border="1"> <tr> <th>CLASS OF WORK</th><th>FINE</th><th>MEDIUM</th><th>COARSE</th><th>VERY COARSE</th> </tr> <tr> <td>0.5 to 3</td><td>±0.05</td><td>±0.1</td><td>±0.2</td><td>-----</td> </tr> <tr> <td>> 3 to 6</td><td>±0.05</td><td>±0.1</td><td>±0.3</td><td>±0.5</td> </tr> <tr> <td>> 6 to 30</td><td>±0.1</td><td>±0.2</td><td>±0.5</td><td>±1</td> </tr> <tr> <td>> 30 to 120</td><td>±0.15</td><td>±0.3</td><td>±0.8</td><td>±1.5</td> </tr> <tr> <td>> 120 to 400</td><td>±0.2</td><td>±0.5</td><td>±1.2</td><td>±2.5</td> </tr> <tr> <td>> 400 to 1000</td><td>±0.3</td><td>±0.8</td><td>±2</td><td>±4</td> </tr> <tr> <td>> 1000 to 2000</td><td>±0.5</td><td>±1.2</td><td>±3</td><td>±6</td> </tr> <tr> <td>> 2000</td><td>-----</td><td>±2</td><td>±4</td><td>±8</td> </tr> </table> | | | | | | | | | | CLASS OF WORK | FINE | MEDIUM | COARSE | VERY COARSE | 0.5 to 3 | ±0.05 | ±0.1 | ±0.2 | ----- | > 3 to 6 | ±0.05 | ±0.1 | ±0.3 | ±0.5 | > 6 to 30 | ±0.1 | ±0.2 | ±0.5 | ±1 | > 30 to 120 | ±0.15 | ±0.3 | ±0.8 | ±1.5 | > 120 to 400 | ±0.2 | ±0.5 | ±1.2 | ±2.5 | > 400 to 1000 | ±0.3 | ±0.8 | ±2 | ±4 | > 1000 to 2000 | ±0.5 | ±1.2 | ±3 | ±6 | > 2000 | ----- | ±2 | ±4 | ±8 |
| CLASS OF WORK | FINE | MEDIUM | COARSE | VERY COARSE | | | | | | | | | | | | | | | | | | | | | | | | | | | | | | | | | | | | | | | | | | | | | | | | | | |
| 0.5 to 3 | ±0.05 | ±0.1 | ±0.2 | ----- | | | | | | | | | | | | | | | | | | | | | | | | | | | | | | | | | | | | | | | | | | | | | | | | | | |
| > 3 to 6 | ±0.05 | ±0.1 | ±0.3 | ±0.5 | | | | | | | | | | | | | | | | | | | | | | | | | | | | | | | | | | | | | | | | | | | | | | | | | | |
| > 6 to 30 | ±0.1 | ±0.2 | ±0.5 | ±1 | | | | | | | | | | | | | | | | | | | | | | | | | | | | | | | | | | | | | | | | | | | | | | | | | | |
| > 30 to 120 | ±0.15 | ±0.3 | ±0.8 | ±1.5 | | | | | | | | | | | | | | | | | | | | | | | | | | | | | | | | | | | | | | | | | | | | | | | | | | |
| > 120 to 400 | ±0.2 | ±0.5 | ±1.2 | ±2.5 | | | | | | | | | | | | | | | | | | | | | | | | | | | | | | | | | | | | | | | | | | | | | | | | | | |
| > 400 to 1000 | ±0.3 | ±0.8 | ±2 | ±4 | | | | | | | | | | | | | | | | | | | | | | | | | | | | | | | | | | | | | | | | | | | | | | | | | | |
| > 1000 to 2000 | ±0.5 | ±1.2 | ±3 | ±6 | | | | | | | | | | | | | | | | | | | | | | | | | | | | | | | | | | | | | | | | | | | | | | | | | | |
| > 2000 | ----- | ±2 | ±4 | ±8 | | | | | | | | | | | | | | | | | | | | | | | | | | | | | | | | | | | | | | | | | | | | | | | | | | |
| <p>UNLESS OTHERWISE SPECIFIED DIMS ARE IN MM.</p> <p>TOLERANCES FOR MEASURE OF LENGTH ARE:</p> <p>ANGLES ±2°</p> <p>VENDOR: N/A P/N: N/A</p> | | | | | | | | | | | | | | | | | | | | | | | | | | | | | | | | | | | | | | | | | | | | | | | | | | | | | | |



| REVISIONS | | | |
|-----------|----------|--------------------------------|--------|
| REV. | DATE | DESCRIPTION | ECO BY |
| X01 | 01.27.07 | INITIAL RELEASE FOR PRODUCTION | NC SJ |

| ITEM NO. | PART NUMBER | DESCRIPTION | QTY. |
|----------|-------------|--------------------------------|------|
| 1 | 740-2036 | SLEEVE, SEAT POST, SPORT UB | 1 |
| 2 | 140-3240 | BUMPER, 3/4x7/16x8-32, RUBBER | 1 |
| 3 | 740-2035 | WELDMENT, SEAT POST, SPORT, UB | 1 |
| 4 | 110-3171 | SCREW, ISO4762, M6x20 | 5 |
| 5 | 120-3257 | WASHER, M6, TEETH, 0.6 THICK | 4 |
| 6 | 718-1099 | | 1 |

UNISEN, INC. DBA 14410 Myford Road
Irvine CA 92606

STARTRAC

PART NO. **740-2034** REV. **A**

TOLERANCES UNLESS OTHERWISE SPECIFIED
 X.XXX ± 0.01 (0.25MM) ANGLES ± 1°
 X.XX ± 0.02 (0.25MM) FRACTIONS ± 1/32
 X.X ± 0.05 (1.25MM)
 X ± 0.125 (3.20)

DATE 01.27.07

DRAWN SJ INITIAL DATE

CHECKED APPROVED

TITLE ASSY, SEAT POST, SPORT, UB

SCALE: 1:1 SHEET 1 OF 1 | SHEET SIZE: B

U.O.M. PIN: 740-2034

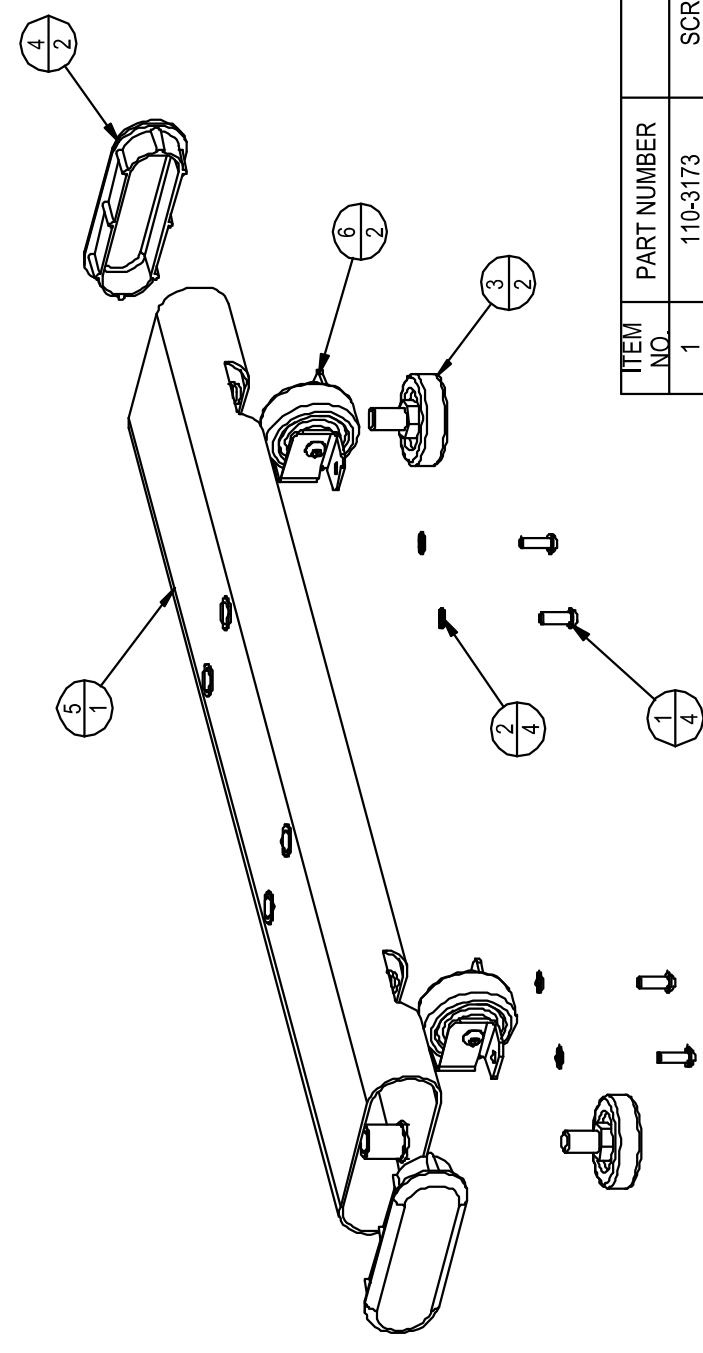
VENDOR: UNISEN

NOTES:

DOCUMENT STATUS: RELEASE

NOTICE OF PROPRIETARY INFORMATION
 THIS DOCUMENT IS UNCLASSIFIED. INFORMATION CONTAINED HEREIN IS UNCLASSIFIED EXCEPT AS SHOWN OTHERWISE. ALL INFORMATION CONTAINED HEREIN IS UNCLASSIFIED EXCEPT AS EXPRESSLY AUTHORIZED BY UNISEN

| | | | | | | | | | | |
|------------------|----------|--------------------|---|---|---|---|-------|-----|---|--|
| 10 | 9 | 8 | 7 | 6 | 5 | 4 | 3 | 2 | 1 | |
| REVISIONS | | | | | | | | | | |
| REV. | DATE | DESCRIPTION | | | | | ECO | BY | | |
| A | 3/7/2007 | PRODUCTION RELEASE | | | | | 11556 | FJM | | |



| ITEM NO. | PART NUMBER | DESCRIPTION | QTY. |
|----------|-------------|--------------------------------|------|
| 1 | 110-3173 | SCREW, M6x16, BHC, HE, ISO7380 | 4 |
| 2 | 120-3257 | WASHER, M6, TEETH, 0.6 THICK | 4 |
| 3 | 140-3247 | LEVELER, FEET ADJUSTMENT | 2 |
| 4 | 740-2024 | CAP, OVAL, FEET, SP BK | 2 |
| 5 | 740-2026 | FEET, FRONT, SPORT BIKE | 1 |
| 6 | 740-2027 | ASSY, WHEEL, SPORT BIKE | 2 |

UNISEN, INC. DBA
 14410 Myford Road
 Irvine CA 92606

STAR TRAC
 STARTRAC PART NO. **740-2022** REV **A**

TOLERANCES UNLESS OTHERWISE SPECIFIED
 X.XXX = ±.010" (0.25MM) ANGLES = ± 2°
 X.XX = ±.030" (0.76MM) FRACTIONS = ± 1/32
 X.X = ±.050" (1.27MM)
 X. = ±.125" (3.20MM)

| | | | |
|----------|-----|------|----------|
| DRAWN | FJM | DATE | 01-27-07 |
| CHECKED | | | |
| APPROVED | | | |

TITLE: **ASSY, FRONT FEET, SPORT BIKE**

VENDOR: **748-4-8930-101** P/N: **748-4-8930-101** SCALE: 1:4 SHEET 1 OF 1 SHEET SIZE: A

DOCUMENT STATUS:
RELEASE

NOTICE OF PROPRIETARY INFORMATION
 THIS DOCUMENT SHALL NOT BE REPRODUCED NOR SHALL THE INFORMATION CONTAINED HEREIN BE USED BY OR DISCLOSED TO OTHER EXCEPT AS EXPRESSLY AUTHORIZED BY UNISEN